



ISO 9001:2000
REGISTERED



**72 Watts, Switchmode Power Supply, Single Output,
Family Desktop, Universal Input, ITE Class I**

Part Number Ordering System (See Page ???)
Output Plug/Cord Options (See Page ???)



INDOOR USE ONLY



ELECTRICAL SPECIFICATIONS:

INPUT VOLTAGE:
90 VAC TO 264 VAC

INPUT CURRENT:
≤ 1.6 A RMS AT 90 VAC INPUT

INPUT FREQUENCY:
47 HZ - 63 HZ

OUTPUT CURRENT:
NO LOAD TO FULL LOAD, NO MINIMUM LOAD REQUIRED

OUTPUT POWER (RATED):
72 WATTS MAX

OUTPUT RIPPLE (PEAK TO PEAK):
≤ LESSOR OF 1% OR 100mV

OUTPUT REGULATION (LINE/LOAD):
± 5 % FOR MAIN OUTPUT, MEASURED AT O/P CONNECTOR

LINE REGULATION:
+ 0.5 % MAX AT FULL LOAD

TURN ON/ TURN OFF OVERSHOOT:
4% MAX; 500µS MAX RECOVERY TIME FOR 25% STEP LOAD

TURN-ON DELAY:
1 SEC MAX

HOLD-UP TIME:
16 mSEC MIN AT NOMINAL INPUT AND FULL LOAD

INRUSH CURRENT:
20 A MAX AT COLD START FOR N.A. (40A FOR EURO)

EFFICIENCY:
75 % TYPICAL

SWITCHING FREQUENCY:
100 KHZ TYPICAL

OVER-VOLTAGE PROTECTION:
VOLTAGE LIMITED LESS 130% OF NOMINAL VOLTAGE

OVER-CURRENT / SHORT CIRCUIT:
HICCUP WITH AUTO RECOVERY TO 1.1 - 1.3 IO

OTHER PROTECTION:
INPUT FUSING

SAFETY APPROVALS:
UL60950 (3rd ED.), CUL TO 22.2# 60950 (3rd ED.), TUV TO EN60950-1:2001, PSE TO J60950 CE CLASS I

DIELECTRIC WITHSTAND VOLTAGE:
1500VAC PRIMARY-SECONDARY; 1500 VAC
PRIMARY- GROUND

LEAKAGE CURRENT:
≤ 3.5 mA

LINE SURGE:
EN 61000-4-5 LEVEL 4

EMI:
COMPLIES WITH EN55022 , CLASS B AND FCC PART 15
CLASS B WHEN TESTED WITH A RESISTIVE LOAD, BOTH
CONDUCTED AND RADIATED

CE MARK:
TESTED TO COMPLY WITH EN61000-3-2 EN61000-3-3, AND
EN50082-1, INCLUDING EN61000-4-2, EN61000-4-3,
EN61000-4-4, EN61000-4-5, EN61000-4-6, EN61000-4-11,
LEVEL 4. UNIT IS ELIGIBLE FOR CE MARK.

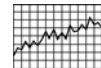
MTBF:
GREATER THAN 200,000 HOURS AT 25°C AMBIENT
TEMPERATURE

OPERATING TEMPERATURE:
0° C TO 40° C

STORAGE TEMPERATURE:
-40° C TO 80° C

HUMIDITY:
0% TO 90% RELATIVE HUMIDITY

- NOTES:**
- EACH OUTPUT CURRENT MAY VARY WITHIN IT'S DESIGNATION RANGE, AS LONG AS OUTPUT POWER IS NOT EXCEEDED.
 - SINGLE OUTPUT UNITS ARE AVAILABLE FROM 12V UP TO 24V IN 0.1V INCREMENTS.
 - (X.X) OPTIONAL FOR SPECIFYING OUTPUT VOLTAGE DEVIATION FROM STANDARD MODEL. SUBTRACTING X.X VOLTS FROM STANDARD OUTPUT VOLTAGE.



SEE APPENDIX "I" FOR ELECTRICAL PERFORMANCE CURVES

OUTPUT VOLTAGE / CURRENT:

MODEL NUMBER	OUTPUT VOLTAGE (VDC)	OUTPUT CURRENT (A)	RATED OUTPUT POWER (W)
GT-21131-7212			
GT-21131-7219-6.0	+13.0	0 - 5.5	0 - 72
GT-21131-7219-5.2	+13.8	0 - 5.2	0 - 72
GT-21131-7219-5.0	+14.0	0 - 5.1	0 - 72
GT-21131-7219-4.0	+15.0	0 - 4.8	0 - 72
GT-21131-7219-3.0	+16.0	0 - 4.5	0 - 72
GT-21131-7219-2.0	+17.0	0 - 4.2	0 - 72
GT-21131-7219-1.0	+18.0	0 - 4.0	0 - 72
GT-21131-7219-X.X	+19.0	0 - 3.8	0 - 72
GT-21131-7224-4.0	+20.0	0 - 3.6	0 - 72
GT-21131-7224-X.X	+24.0	0 - 3.0	0 - 72

SPECIFICATIONS MAY CHANGE WITHOUT PRIOR NOTICE. CONSULT GLOBTEK CUSTOMER SERVICE FOR LATEST SPECIFICATIONS.



ISO 9001:2000
REGISTERED



**72 Watts, Switchmode Power Supply, Single Output,
Family Desktop, Universal Input, ITE Class I**

Part Number Ordering System (See Page ???)
Output Plug/Cord Options (See Page ???)



INDOOR USE ONLY

ENCLOSURES

HOUSING: HIGH IMPACT PLASTIC, 94V0 POLYCARBONATE, NON-VENTED, COLOR BLACK



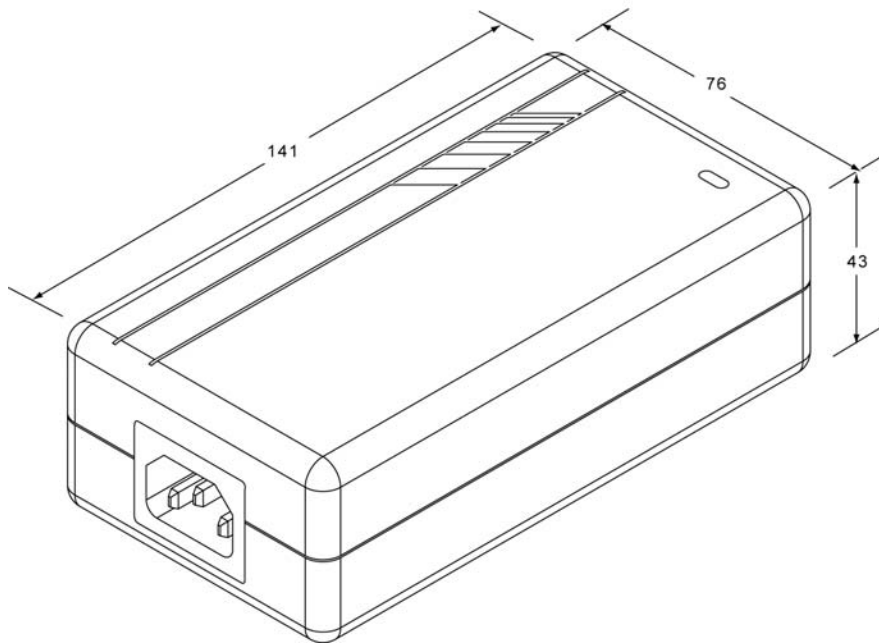
SIZE:

141.5 x 76 x 43 ± 1 mm

INPUT CONNECTOR:

CONFIGURATION:

CLASS 1 MODEL IEC60320 / C14,
AC POWER RECEPTACLE WITH 3
MALE PINS. GROUND PIN CON-
NECTED INTERNALLY TO
DC COMMON



INDICATOR:

GREEN LED, OUTPUT PRESENT



SPECIFICATIONS MAY CHANGE WITHOUT PRIOR NOTICE. CONSULT GLOBTEK CUSTOMER SERVICE FOR LATEST SPECIFICATIONS.