



ISO 9001:2000
REGISTERED

GTMB1057



**Switching Power Supply, 60 Watts, Single Output,
Universal Input, Medical**



ELECTRICAL SPECIFICATIONS:

INPUT VOLTAGE:
90 VAC TO 264 VAC

INPUT CURRENT:
< 2.0 A RMS AT 90 VAC INPUT

INPUT FREQUENCY:
47 HZ - 63 HZ

OUTPUT CURRENT:
NO LOAD TO FULL LOAD, NO MINIMUM LOAD REQUIRED

OUTPUT POWER (RATED):
60 WATTS MAX

SWITCHING FREQUENCY OUTPUT RIPPLE (PEAK TO PEAK):
1% TYPICAL

OUTPUT REGULATION (LINE/LOAD):
+ 5 % FOR MAIN OUTPUT, MEASURED AT O/P CONNECTOR

LINE REGULATION:
+ 0.5 % MAX AT FULL LOAD

TURN ON/ TURN OFF OVERSHOOT:
4% MAX 500uS MAX RECOVERY TIME FOR 25% STEP LOAD

TURN-ON DELAY:
1 SEC MAX

HOLD-UP TIME:
8.3 mSEC MIN AT NOMINAL INPUT AND FULL LOAD

OUTPUT RISE TIME:
< 35 mS

TURN ON TIME:
< 3 S @ 115 V

INRUSH CURRENT:
40 A MAX AT COLD START FOR N.A. (50A FOR EURO)

EFFICIENCY:
80% @115 V

SWITCHING FREQUENCY:
100 KHZ TYPICAL

OVER-VOLTAGE PROTECTION:
VOLTAGE LIMITED LESS 130% OF NOMINAL VOLTAGE

OVER-CURRENT / SHORT CIRCUIT:
HICCUP WITH AUTO RECOVERY TO 1.1 - 1.3 IO

OTHER PROTECTION:
INPUT FUSING

NO LOAD POWER CONSUMPTION:
< 1.0 W @ 115/230V, NO LOAD, 25°C

SAFETY APPROVALS (PENDING):
ITE MODEL: UL60601-1, CUL TO 22.2# 601, DEMKO TO EN60601, CE CLASS I, PSE TO J60950

DIELECTRIC WITHSTAND VOLTAGE:

5656 VDC PRIMARY-SECONDARY; 2121 VDC
PRIMARY- GROUND

LEAKAGE CURRENT:

< 250 µA

LINE SURGE:

EN 61000-4-5 LEVEL 4

EMI:

COMPLIES WITH EN55011 , CLASS B AND
FCC PART 15 CLASS B WHEN TESTED WITH A RESISTIVE
LOAD, BOTH CONDUCTED AND RADIATED. TESTED TO
COMPLY WITH EN61000-3-2 EN61000-3-3, AND EN50082-1,
INCLUDING EN61000-4-2, EN61000-4-3, EN61000-4-4,
EN61000-4-5,
EN61000-4-6, EN61000-4-11, LEVEL 4, EN 60601-1-2-2001.
UNIT IS ELIGIBLE FOR CE MARK.

MTBF:

GREATER THAN 200,000 HOURS AT 25°C AMBIENT
TEMPERATURE

OPERATING TEMPERATURE:

0°C TO 40° C

STORAGE TEMPERATURE:

-40°C TO 80° C

ALTITUDE:

10,000' (OPERATING), 40,000' (NON-OPERATING)

HUMIDITY:

0% TO 90% RELATIVE HUMIDITY

WEIGHT:

350 g

NOTES:

1. - ITE MODEL
2. EACH OUTPUT CURRENT CAN VARY WITHIN ITS DESIGNATION RANGE., AS LONG AS THE OUTPUT POWER IS NOT EXCEEDED.
3. SINGLE OUTPUT UNITS ARE AVAILABLE FROM 10V UP TO 30V IN 0.1V INCREMENTS.
4. X.X.: OPTIONAL FOR SPECIFYING OUTPUT VOLTAGE DEVIATION FROM STANDARD MODEL:
SUBTRACTING X.X. VOLTS FROM STANDARD OUTPUT VOLTAGE.

OUTPUT VOLTAGE / CURRENT:

MODEL NUMBER	OUTPUT VOLTAGE (VDC)	OUTPUT CURRENT (A)	RATED OUTPUT POWER (W)
GTMB1057-6010-Z	+10.0	0 - 6.0	60
GTMB1057-6012-X-X-Z	+12.0	0 - 5.0	60
GTMB1057-6015-X.X-Z	+15.0	0 - 4.0	60
GTMB1057-6018-X.X-Z	+18.0	0 - 3.3	60
GTMB1057-6019-X.X-Z	+19.0	0 - 3.16	60
GTMB1057-6020-X.X-Z	+20.0	0 - 3.0	60
GTMB1057-6022-X.X-Z	+22.0	0 - 2.7	60
GTMB1057-6024-X.X-Z	+24.0	0 - 2.5	60
GTMB1057-6030-X.X-Z	+30.0	0 - 2.0	60

SPECIFICATIONS MAY CHANGE WITHOUT PRIOR NOTICE. CONSULT GLOBTEK CUSTOMER SERVICE FOR LATEST SPECIFICATIONS.



ISO 9001:2000
REGISTERED

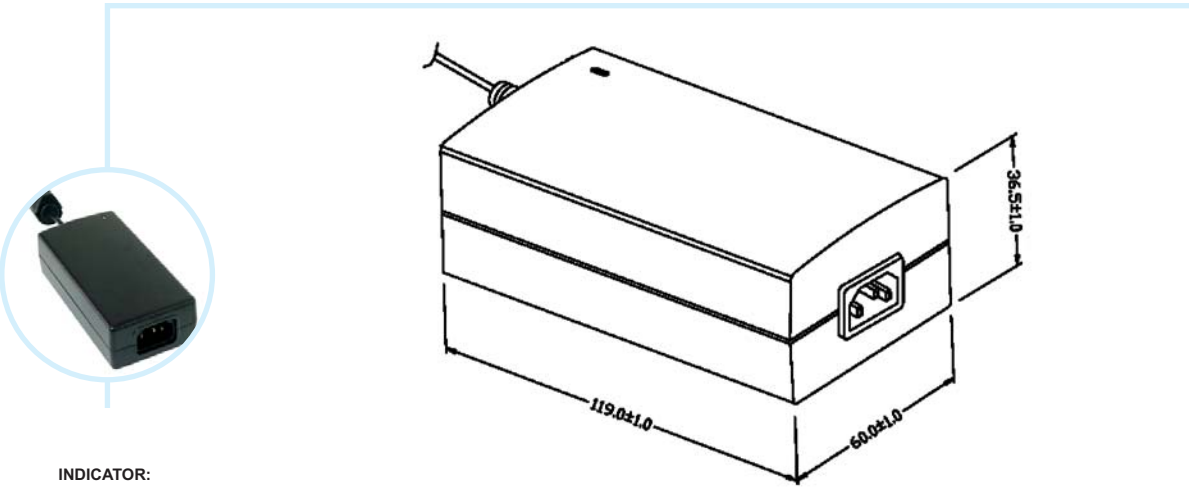


**Switching Power Supply, 60 Watts, Single Output,
Universal Input, Medical**



ENCLOSURE

HOUSING: HIGH IMPACT PLASTIC 94V0 POLYCARBONATE, NON- VENTED, COLOR BLACK
SIZE: 120.0 X 60.5 X 36.5 + 1 mm



INDICATOR:

GREEN LED, OUTPUT PRESENT

INPUT CONNECTOR:

CONFIGURATION: CLASS 1
MODEL IEC320 / C14, AC POWER
RECEPTACLE WITH
3 MALE PRONGS

OUTPUT CORD:

1 CONDUCTOR+SHIELD,
18 AWG STRANDED WIRE,
ROUND # 1185 CORD TYPE,
COLOR BLACK,

LENGTH OF CORD:

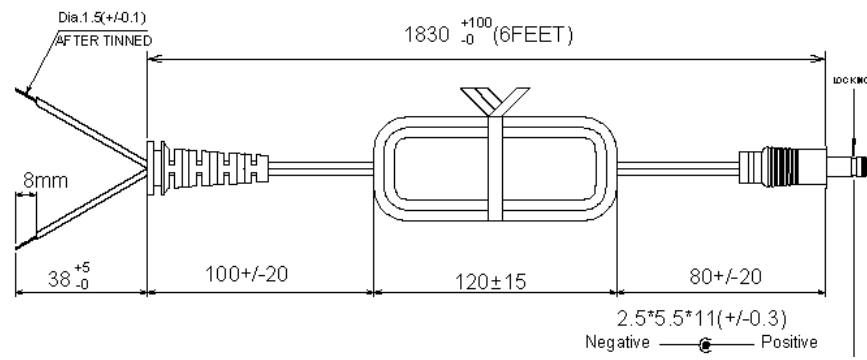
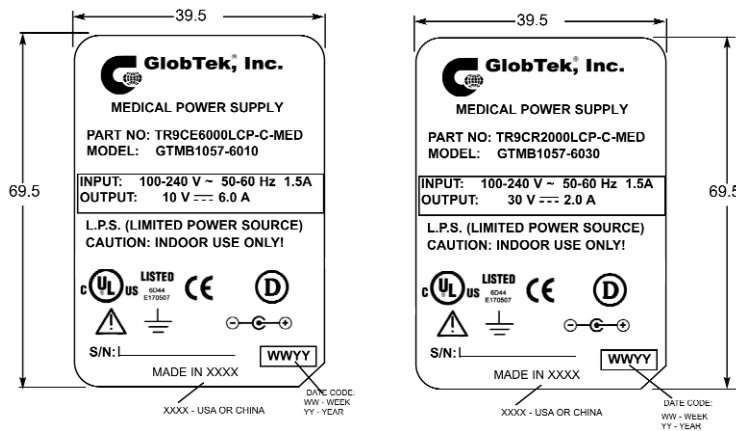
1830 +100, -0 mm. CORD IS
MEASURED FROM THE HOUSING
TO THE END OF OVERMOLD
OF THE CONNECTOR.

CABLE IS TO BE MARKED WITH
WIRE GAUGE, AND ALL
APPLICABLE RATING AND
SAFETY APPROVALS.

CUSTOM CORDSET AVAILABLE.

OUTPUT CONNECTOR:

STANDARD, STRAIGHT FEMALE
BARREL IS 5.5 x 2.5 x 11 mm WITH
CENTER POSITIVE



NOTE: FOR OTHER OUTPUT CORDS ARRANGEMENTS, SEE OUTPUT PLUG/CORD OPTIONS CATALOG ACCESSORIES.

SPECIFICATIONS MAY CHANGE WITHOUT PRIOR NOTICE. CONSULT GLOBTEK CUSTOMER SERVICE FOR LATEST SPECIFICATIONS.